

READ THESE INSTRUCTIONS COMPLETELY BEFORE BEGINNING!

- 1) Ensure the replacement module has the same or equivalent part number and performs the same function as the module being replaced. The table below shows two possible model numbers for each type of panel, and the equivalent replacement module for each panel. The part number can be found on the bottom left or bottom right portion of the low voltage terminal strip label of each AQ2000 component. [Refer to Figure 1].

Control Module		Models using this Control Module		Programmable Control Module
Previous Module #	Current Module #	Previous Model #	Current Model #	
AQ1500B0	AQ15000B	AQ2504B2; AQ2504B4	AQ25042B; AQ25044B	No
AQ1510B0	AQ15100B	AQ2511B0; AQ2514B2; AQ2514B4	AQ25110B; AQ25142B; AQ25144B	Yes
AQ1520M0	AQ15200B	AQ2524M2; AQ2524M4	AQ25242B; AQ25244B	Yes
AQ1540E0	AQ15400B	AQ2541E0	AQ25410B	Yes
AQ1554P2	AQ15540B	AQ2554P2X; AQ2554V2; AQ2558P2X	AQ25542B; AQ25742B; AQ25582B	No
AQ1574V4	AQ15740B	AQ2574V4	AQ25744B	No
AQ15A0B0	AQ15A00B	AQ25A4B2; AQ25A4B4	AQ25A42B; AQ25A44B	Yes

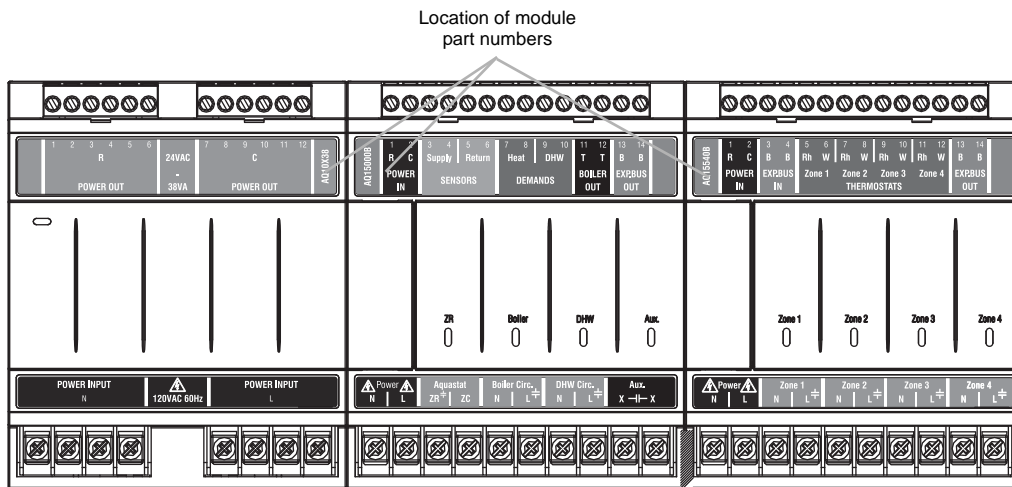


Figure 1: Location of module part numbers

If the module being replaced is a programmable Control Module (refer to table above), make a note of the program settings for ALL Menu Options - both the User Menu and the Installer Menu - before proceeding. Use Table 1 to record these settings.



- 2) **Disconnect power to the AQ2000 Series Control Panel from the power distribution panel.**
- 3) Remove the front cover from the AQ2000 Series panel.
- 4) Label all wiring currently connected to the terminals in the line voltage area (screw terminals on the bottom of the modules), indicating which terminal each wire is to be connected to on the new module.
- 5) Disconnect all line voltage wiring connected to the module being replaced.
- 6) Disconnect the low voltage terminal strips from the module by inserting a thin, slotted screwdriver in the small notch provided below each terminal strip and gently prying the male portion of the strip from the female portion of the strip. **DO NOT DISCONNECT THE LOW VOLTAGE WIRING FROM THE TERMINAL STRIPS.**
- 7) Once all wiring has been disconnected from the module being replaced, gently pull the two retaining sliders (found underneath the module) toward the bottom of the module to disengage it from the DIN rail. There will be an audible “click” when these sliders have been pulled far enough (about 3/16”) to allow removal of the module. [Refer to Figure 2]
- 8) Lift the module up and away from the DIN mounting rail. If the module being replaced is not a programmable module (see table on page 1), keep it for use at step 14. Otherwise, you can scrap it right away.
- 9) Remove the replacement module from its packaging and - referring to Figure 3 - mount it on the DIN rail. Secure it to the rail by pushing in the retaining sliders until an audible “click” is heard.
- 10) Test that the module is securely mounted by gently pulling it away from the DIN rail. If it is not securely fastened, repeat steps 9 and 10. Note: it is normal for the module, when correctly mounted, to be able to slide 1/16” right or left on the DIN rail.
- 11) Remove the male portion(s) of the new module's low voltage terminal strip(s). Discard.
- 12) Push the male portion(s) of the old module's low voltage terminal strip(s) into the female portion(s) of the new module's terminal strip(s).
- 13) Reconnect the line voltage wiring according to the labels that were attached in step 4.
- 14) DIP Switches

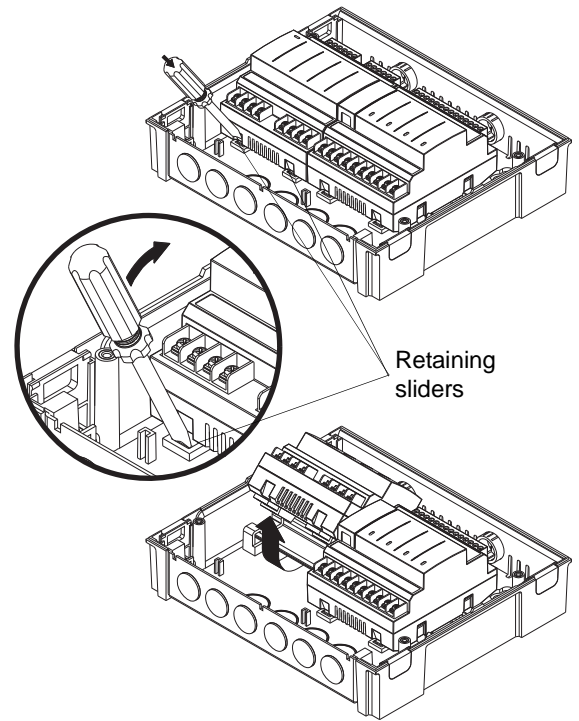


Figure 2: Module Removal

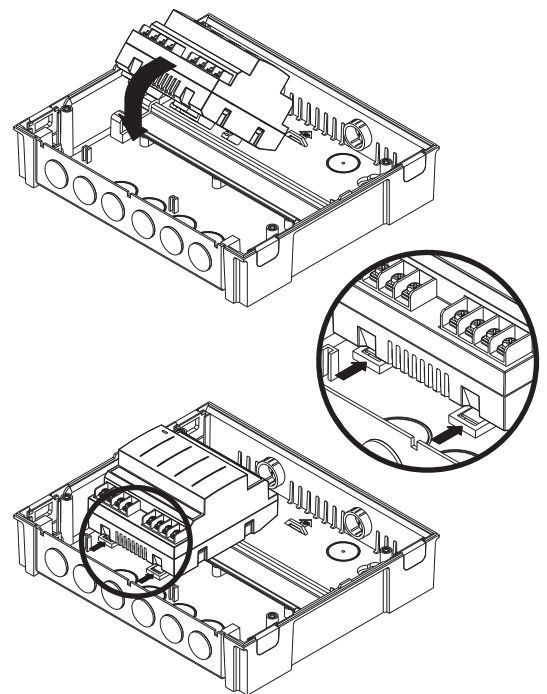


Figure 3: Mounting of modules on DIN Rail

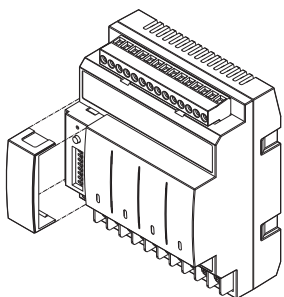


Figure 4: Location of DIP switches on modules

If the module being replaced is a (non-programmable) AQ1500B0 or AQ15000B Control Module or a Zoning Module (AQ1554P2, AQ15540B, AQ1574V4 or AQ15740B), there are DIP switches that need to be checked to match the configuration of the module being replaced.

- a. Remove the DIP switch cover from the module. [Refer to Figure 4]
- b. Using a small screwdriver or a pen, set each of the 8 DIP switches on the new module to the same positions as the matching DIP switches on the old module.
- c. Replace the DIP switch cover.
- d. Scrap the old module.

- 15) Double check all wiring connections before applying mains power to the Control Panel.
- 16) Replace the Control Panel's front cover.
- 17) Turn on power to the Control Panel via the service switch to the electrical distribution panel.
- 18) If the new module is a programmable Control Module (see table on page 1) reprogram it with the operating settings for ALL Menu Options, as recorded in Table 1.

Table 1

USER SETTINGS								
AQ15A	AQ151	AQ152	AQ154	Factory Default	Your Setting			
PREFERENCES	PREFERENCES	PREFERENCES						
BOILER UNITS	BOILER UNITS	BOILER UNITS		°F				
ZONE UNITS	ZONE UNITS	ZONE UNITS		°F				
TIME DISP	TIME DISP	TIME DISP		12h				
D.S.T.	D.S.T.	D.S.T.		Enable				
YEAR	YEAR	YEAR		2008				
MONTH	MONTH	MONTH		JAN				
DATE	DATE	DATE		01				
DAY	DAY	DAY		Monday				
TIME	TIME	TIME		12:00 AM				
HOMEPAGE	HOMEPAGE	HOMEPAGE		DETAIL				
BACKLIGHT	BACKLIGHT	BACKLIGHT		AUTO				
POWER FAILURE NOTICE	POWER FAILURE NOTICE	POWER FAILURE NOTICE		BACKLIGHT				
ZONE SETTINGS	ZONE SETTINGS	ZONE SETTINGS						
<p>Note: There is no need to record and re-program the Control Module with the individual zone settings, since these settings are saved in each zone's thermostat. Once the thermostats are connected to the replacement programmable Control Module, the Control Module will "learn" these settings and use them to control the system.</p>								
PROGRAM SETTINGS	PROGRAM SETTINGS	PROGRAM SETTINGS						
<p>Note: If the module being replaced is an AQ15A0B0, AQ15A00B, AQ1510B0, AQ15100B, AQ1520M0 or AQ15200B programmable Control Module, be sure to record the Program schedule times (Wake, Leave, Return, and Sleep) for EACH day of the week before replacing the module</p>								
MODE	MODE	MODE		AUTO				
Stored Program Schedule								
	WAKE		LEAVE		RETURN		SLEEP	
MONDAY	6:00 AM		8:00 AM		6:00 PM		10:00 PM	
TUESDAY	6:00 AM		8:00 AM		6:00 PM		10:00 PM	
WEDNESDAY	6:00 AM		8:00 AM		6:00 PM		10:00 PM	
THURSDAY	6:00 AM		8:00 AM		6:00 PM		10:00 PM	
FRIDAY	6:00 AM		8:00 AM		6:00 PM		10:00 PM	
SATURDAY	6:00 AM		8:00 AM		6:00 PM		10:00 PM	
SUNDAY	6:00 AM		8:00 AM		6:00 PM		10:00 PM	

Table 1 (continued)

INSTALLER SETTINGS					
AQ15A	AQ151	AQ152	AQ154	Factory Default	
EQUIPMENT SETUP	EQUIPMENT SETUP	EQUIPMENT SETUP			
BOILER SETTINGS	BOILER SETTINGS	BOILER SETTINGS			
HIGH LIMIT	HIGH LIMIT	HIGH LIMIT		190°F (88°C)	
LOW LIMIT	LOW LIMIT	LOW LIMIT		150°F (65°C)	
BOIL. DIFF	BOIL. DIFF	BOIL. DIFF		Auto	
W.W.S.D.	W.W.S.D.	W.W.S.D.		70°F (21°C)	
RESET	RESET	RESET		Outdoor	
OUTDOOR LOW	OUTDOOR LOW	OUTDOOR LOW		10°F (-12°C)	
BOILER DSGN	BOILER DSGN	BOILER DSGN		180°F (82°C)	
MIN.RETURN	MIN.RETURN	MIN.RETURN		140°F (60°C)	
BOILER OPERATION	BOILER OPERATION	BOILER OPERATION			
CYCLES / HOUR	CYCLES / HOUR	CYCLES / HOUR		4	
FIRE DELAY	FIRE DELAY	FIRE DELAY		10 sec.	
PURGE TIME	PURGE TIME	PURGE TIME		30 sec.	
EXERCISE	EXERCISE	EXERCISE		Yes	
FREEZE PROT	FREEZE PROT	FREEZE PROT		Yes	
		10V MOD. SELECT			
		10V MOD		0-10V	
		USAGE		None	
			LOOP	B	
		SECONDARY LOOP	MIXING		
		MIX. HIGH	MIX. HIGH TEMP	140°F (60°C)	
		MIX. LOW	MIX. LOW TEMP	95°F (35°C)	
			RESET	Outdoor	
		MIX. DSGN	DESIGN TEMP	120°F (49°C)	
			10V MOD	Disable	
		INJECT.	INJECT.	Enable	
		MIX.VLV	MIX.VLV	Disable	
		MIX.V.TTO	VLV OPEN TIME	160 sec.	
		MIX.V.ACT	VALVE ACTION	Direct	
DOMEST.HOT WATER	DOMEST.HOT WATER	DOMEST.HOT WATER			
DHW	DHW	DHW		Enable	
DHW PRIO	DHW PRIO	DHW PRIO		No	
PRIO.OVER.	PRIO.OVER.	PRIO.OVER.		Yes	
DHW DEVICE	DHW DEVICE	DHW DEVICE		Pump	
DHW VLV.OP	DHW VLV.OP	DHW VLV.OP		15 sec.	
DHW PURGE	DHW PURGE	DHW PURGE		Yes	
DHW SENSOR	DHW SENSOR	DHW SENSOR		No	
DHW SETPOINT	DHW SETPOINT	DHW SETPOINT		140°F (60°C)	
DHW DIFF.	DHW DIFF.	DHW DIFF.		20°F (11°C)	
DHW VACANCY	DHW VACANCY	DHW VACANCY		61°F (16°C)	
ZONING	ZONING	ZONING			
HEAT DMND	HEAT DMND	HEAT DMND		RESET	
HT DMND PRIO	HT DMND PRIO	HT DMND PRIO		No	
PRIO.OVER.	PRIO.OVER.	PRIO.OVER.		Yes	
ZONING VALVES TIME TO OPEN	ZONING VALVES TIME TO OPEN	ZONING VALVES TIME TO OPEN		15 sec.	
		PRI/SEC	PRI/SEC	SEC	
AUXILIARY I/O	AUXILIARY I/O	AUXILIARY I/O			
AUX.IN	AUX.IN	AUX.IN		Setback	
AUX.OUT	AUX.OUT	AUX.OUT		Boiler	
AUX.PUMP	AUX.PUMP	AUX.PUMP		Boiler	
			AUX	Zone Open	
A/C SETTINGS	A/C SETTINGS	A/C SETTINGS			
CYCLES/HOUR	CYCLES/HOUR	CYCLES/HOUR		4	
MIN.OFF TIME	MIN.OFF TIME	MIN.OFF TIME		5 min.	
C.W.S.D.	C.W.S.D.	C.W.S.D.		65°F (18°C)	
FAN MODE	FAN MODE	FAN MODE		Auto	
A/C EQUIP CONFIG	A/C EQUIP CONFIG	A/C EQUIP CONFIG			
ZONE x-x	ZONE x-x	ZONE x-x		A-1	
A/C UNIT.	A/C UNIT.	A/C UNIT.		1	
COOLING	COOLING	COOLING		ENABLE	
STATISTICS	STATISTICS	STATISTICS	STATS		